

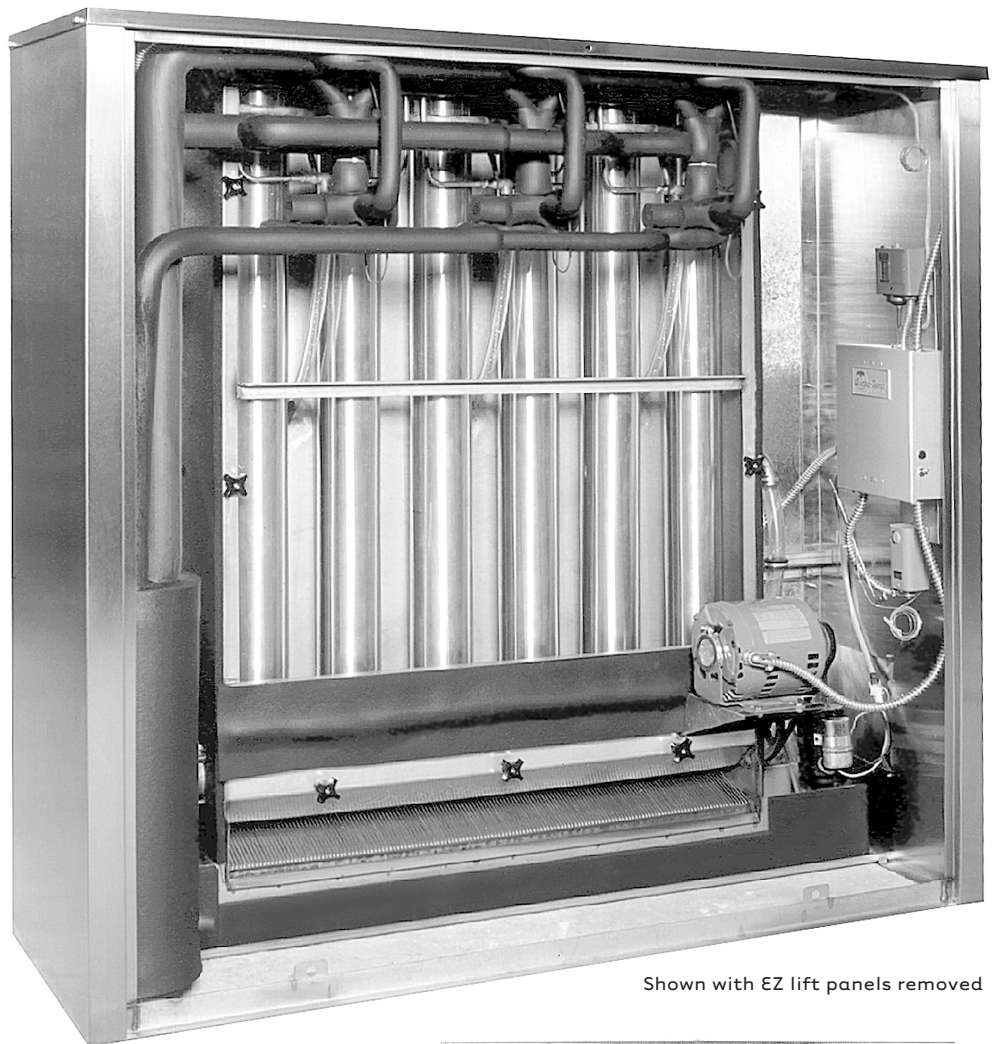


MODELS **1000AR**  
**1000SM**

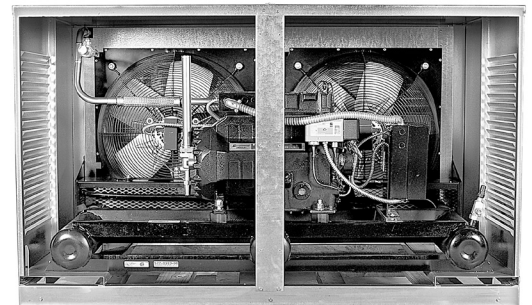
Arctic-Temp is the developer and leading producer of VERTICAL TUBE INDUSTRIAL ICE MACHINES. We provide a straight-forward, uncomplicated design that provides maximum ice production while using less electricity than other ice machines in this capacity range.

**6,500 lbs.**  
**of hard**  
**cracked ice**  
**in 24 hrs.**  
**(2,948 Kg.)**

- » **Highly efficient Copeland Discus Compressor.**
- » **Double Walled Vertical Tube Evaporators For Maximum Production.**
- » **Hot Gas Defrost for rapid harvest and quick recovery.**
- » **All Stainless Steel Welded Construction.**
- » **No moving parts in the freezing zone.**
- » **Harvest Hold (PHC) for definite defrost in varying temperature.**
- » **R-404A Refrigerant.**
- » **Factory Assembled, Fully Charged & Tested.**
- » **USDA Approved.**
- » **PLEASE REFER TO OUR GENERAL CATALOG FOR ADDITIONAL INFORMATION AND SPECIFICATIONS ON ARCTIC-TEMP ICE MAKERS.**



Shown with EZ lift panels removed



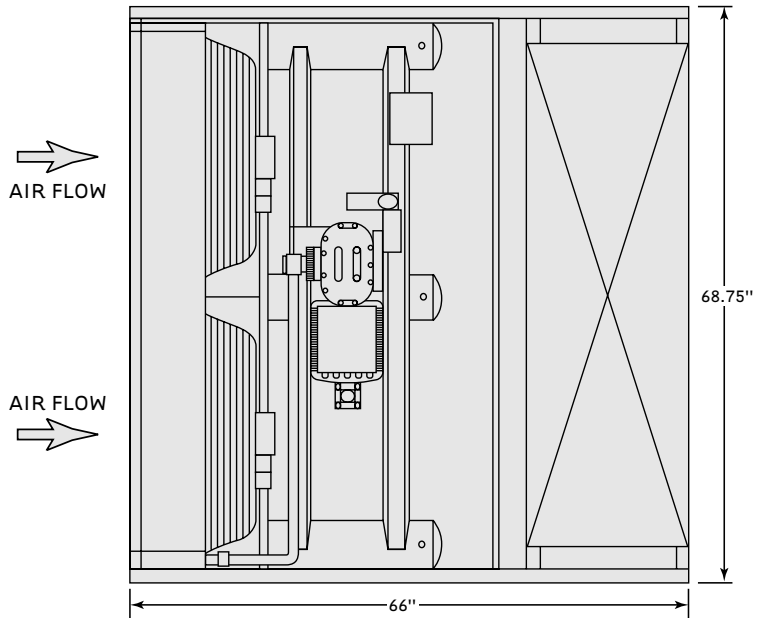
Condensing unit

## QUALITY INDUSTRIAL ICE MACHINES SINCE 1959

Manufactured by HOLIDAY ICE, Inc. • 204 Short Avenue • Longwood, FL 32750-5130  
Phone (407) 831-2077 • FAX (407) 834-3359 • [www.arctic-temp.com](http://www.arctic-temp.com)  
Arctic-Temp is a Registered Trademark of Holiday Ice, Inc. © Copyright 2010 by Holiday Ice, Inc. All Rights Reserved.

**DIMENSIONAL DATA**  
TOP VIEW

**ICE MACHINE**  
1000SM SKID MOUNT



**SPECIFICATIONS**  
**ARCTIC-TEMP® MODEL 1000AR**

ICE PRODUCTION (LBS.) in 24 Hours	6,500
COMPRESSOR HORSEPOWER	10
ELECTRICAL V/HZ/PH	208/230-3-60 200/220-3-50
METHOD OF CONDENSING	AIR REMOTE
DIMENSIONS JACKETED	HEIGHT 57" WIDTH 60" DEPTH 19"
CONDENSING UNIT DIMENSIONS	LENGTH 72" WIDTH 45" HEIGHT 44"
REFRIGERANT CHARGE	40 LBS.
APPROX.. UNCRATED MACHINE WEIGHT (LBS.)	EVAP 475 LBS. COND 946 LBS.
CRATED	EVAP 50 LBS. COND 996 LBS.
WATER CONSUMPTION (GAL./24 HRS.)	783

**ARCTIC-TEMP MODEL 1000SM**

In certain applications where roof mounting or custom bunker mounting is desired, it may be economical to Skid Mount the highside and lowside components on a common base in order to obtain a PACKAGED ICE MACHINE.

ALL PACKAGED ICE MACHINES are fully assembled and thoroughly tested prior to shipping.

Holiday Ice can perform your custom work to make the installation easier, future service more convenient, and reduce the installation costs.

**ADDITIONAL SPECIFICATIONS**  
**FOR SKID MOUNTING:**

BASE	LENGTH	66"
DIMENSIONS	WIDTH	68"
	HEIGHT	60"
APPROX.. WEIGHT (LBS.)		1,680

